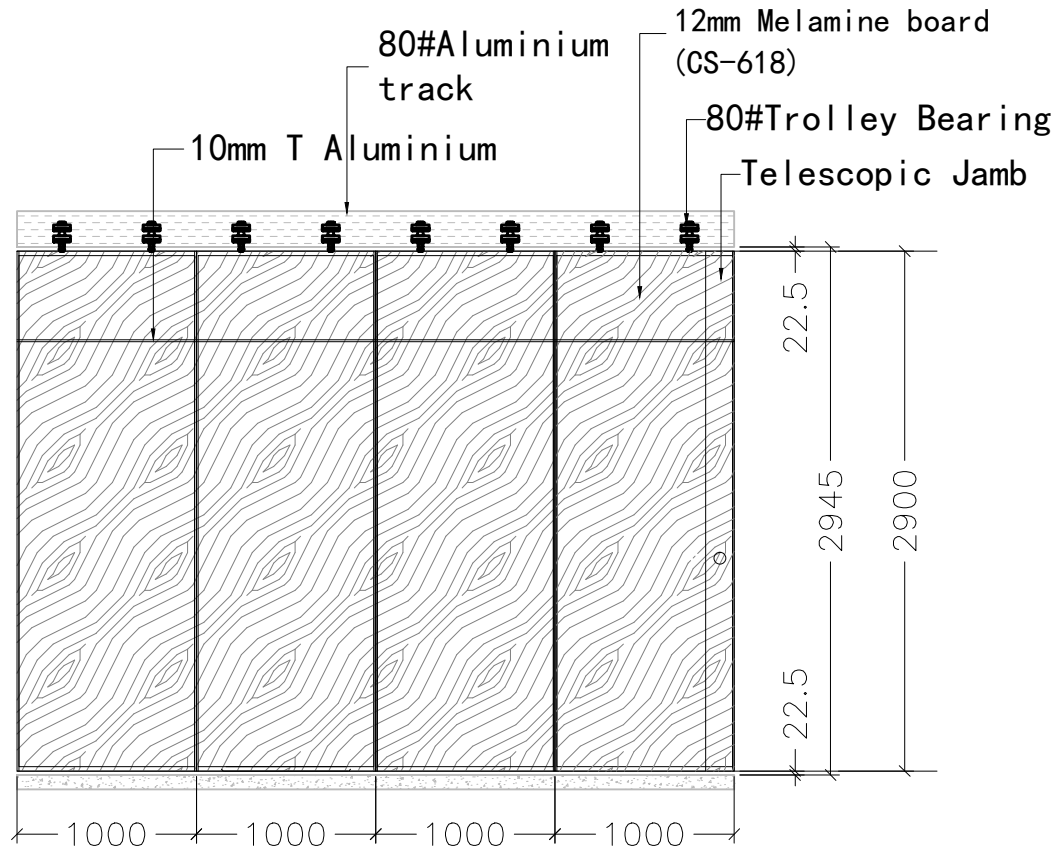
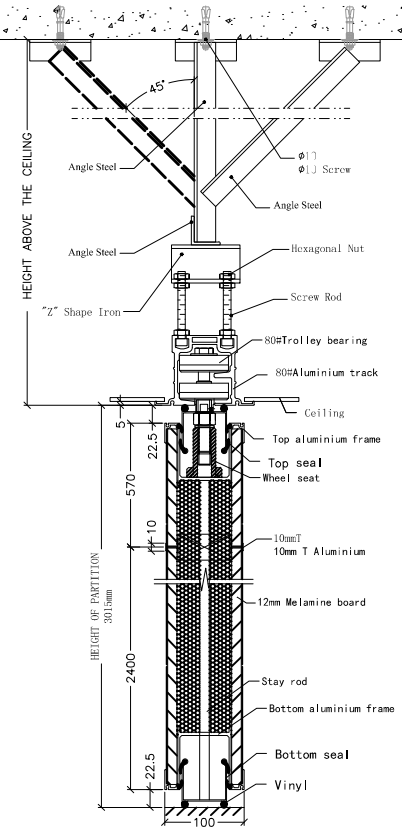
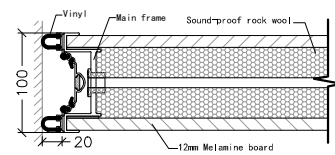


TYPE100 PARTITION SECTIONAL DRAWING

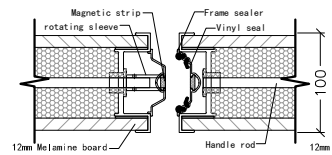


REMARKS:
The size in this drawing is just for reference only, accurating size should based on site measurement.

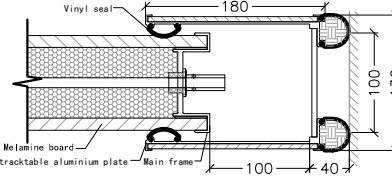
NODE DIAGRAM SOFT CONNECTION TO THE WALL



INTERLOCK NODE DIAGRAM



TELESCOPIC JAMB NODE DIAGRAM



MATERIALS INSTRUCTION

Title	MATERIAL
DOUBLE TROLLEY	POM45 Tempered steel
RETRACTALE MECHANISM	45 steel and spring
TRACK FRAMES	6063-T5 Anodized Aluminium
VINYL SEAL	Acrylonitrile-butadiene rubber
ROCK WOOL	Sound-absorption glass fibre
MAGNETIC STRIP	Ferrit plastic magnet

TECHNICAL PARAMETER

TYPES OF PARTITION	Type100 single panel
THICKNESS OF PARTITION	100MM
SOUND-PROOF COEFFICIENT	RW=50dB
BASIC MATERIALS	12mm Melamine board
DENSITY OF PARTITION	35KG/M ²
TRACK LOAD WEIGHT LIMIT	675KG
THICKNESS LIMIT FOR FACE FINISH	Single side ≤ 0MM
RETRACTABLE RANGE OF TOP/BOTTOM	30MM
RETRACTABLE RANGE OF TELESCOPIC JAMB	≤ 100MM

PROJECT TITLE

OBRA BA
CONSTRUCCIONES

DRAWING TITLE

100# PARTITION PLAN VIEW

DRAWN BY

CHECKER BY

CUSTOMER'S APPROVAL

DATE

2011-11-25

SCALE

PAGE NO.